

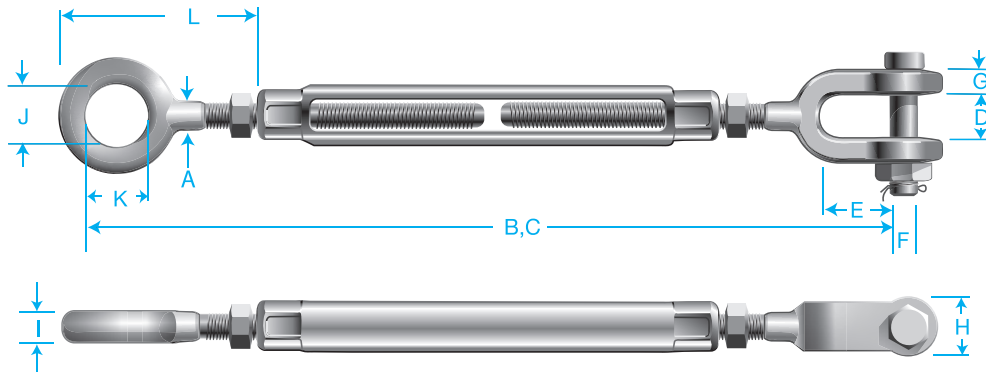
Green Pin® Eye & Jaw Turnbuckles with Cotter Pin

SPECIFICATIONS

Dimensions (in)

VAN BEEST

Working Load Limit (tons)	Dia. Thread	Take Up	Length Closed Position	Length Open Position	Opening Jaw	Length Inside Jaw	Dia. Pin Jaw	Thickness Eye Jaw	Dia. Eye Jaw	Dia. Eye	Width Inside	Length Inside	Length Closed	Weight (lbs)
	A													
.54	3/8	6	11.14	16.45	.47	.82	.31	.35	.82	.39	.51	1.49	1.92	1.12
1	1/2	6	12.4	17.51	.62	1.02	.39	.43	1.02	.47	.70	1.41	2.28	1.96
1	1/2	9	15.31	23.5	.62	1.02	.39	.43	1.02	.47	.70	1.41	2.24	2.42
1	1/2	12	18.3	29.48	.62	1.02	.39	.43	1.02	.47	.70	1.41	2.24	2.88
1.59	5/8	6	14.29	19.13	.7	1.25	.51	.55	1.29	.55	.82	1.73	3.11	3.48
1.59	5/8	9	17.24	25.11	.7	1.25	.51	.55	1.29	.55	.82	1.73	3.07	4.05
1.59	5/8	12	20.23	31.10	.7	1.25	.51	.55	1.29	.55	.82	1.73	3.07	4.89
2.36	3/4	6	15.39	20.03	.94	1.49	.62	.62	1.61	.66	.98	2.12	3.54	5.15
2.36	3/4	9	18.3	26.02	.94	1.49	.62	.62	1.61	.66	.98	2.12	3.5	5.99
2.36	3/4	12	21.29	32.04	.94	1.49	.62	.62	1.61	.66	.98	2.12	3.5	6.5
2.36	3/4	18	27.32	44.01	.94	1.49	.62	.62	1.61	.66	.98	2.12	3.5	7.27
3.27	7/8	12	22.83	33.34	1.06	1.65	.74	.74	1.88	.78	1.25	2.40	3.93	9.59
3.27	7/8	18	28.85	45.35	1.06	1.65	.74	.74	1.88	.78	1.25	2.40	3.97	12.03
4.54	1	6	18.58	22.79	1.18	1.96	.86	.78	2.16	.94	1.41	2.95	4.64	10.27
4.54	1	12	24.52	34.8	1.18	1.96	.86	.78	2.16	.94	1.41	2.95	4.6	13.99
4.54	1	18	30.51	46.81	1.18	1.96	.86	.78	2.16	.94	1.41	2.95	4.6	17.59
4.54	1	24	36.45	58.77	1.18	1.96	.86	.78	2.16	.94	1.41	2.95	4.56	18.49
6.9	1-1/4	12	26.61	37.36	1.73	2.79	1.14	1.02	2.67	1.18	1.81	3.54	5.7	24.07
6.9	1-1/4	18	32.75	49.48	1.73	2.79	1.14	1.02	2.67	1.18	1.81	3.54	5.66	24.25
6.9	1-1/4	24	38.89	61.57	1.73	2.79	1.14	1.02	2.67	1.18	1.81	3.54	5.66	28.43
9.71	1-1/2	12	28.18	38.66	2.04	2.79	1.37	1.1	3.14	1.25	2.12	4.13	6.14	28.88
9.71	1-1/2	18	34.29	50.74	2.04	2.79	1.37	1.1	3.14	1.25	2.12	4.13	6.29	32.40
9.71	1-1/2	24	40.23	62.71	2.04	2.79	1.37	1.1	3.14	1.25	2.12	4.13	6.22	39.24
12.7	1-3/4	18	38.58	53.38	2.32	3.38	1.65	1.29	3.54	1.49	2.36	4.68	7.75	49.16
12.7	1-3/4	24	44.52	65.39	2.32	3.38	1.65	1.29	3.54	1.49	2.36	4.68	7.71	60.62
16.8	2	24	47.55	68.03	2.48	3.66	2	1.61	4.25	1.81	2.71	5.78	9.09	94.57
27.2	2-1/2	24	52.79	73.46	2.95	4.48	2.24	1.61	5.62	2	3.14	6.49	10.78	149.91
34	2-3/4	24	55.27	75.7	3.54	4.33	2.75	1.61	6.22	2.24	3.3	7	112.24	200.62



SUPERIOR
TOOL RENTAL & REPAIR

877.446.4352
www.midlandtool.com
www.superiortoolrental.com

