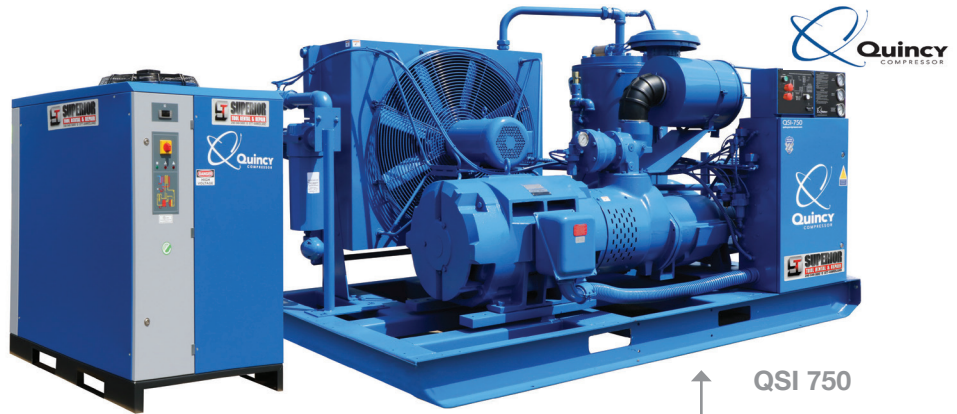


# ELECTRIC AIR COMPRESSOR

## Quincy QSI 750 Rotary Screw Electric Air Compressor

### FEATURES

- Trouble Free: Heavy duty intake filter for quiet, trouble-free operation
- Reliability: Generously sized coolers ensure reliable operation in ambient temperatures as high as 115° F and after-cooler approach as low as 3° F
- Easy Flow: Axial flow inlet housing
- Maximum Efficiency: Rugged QSI air-end with triplex bearings for maximum efficiency and operating life



QSI 750

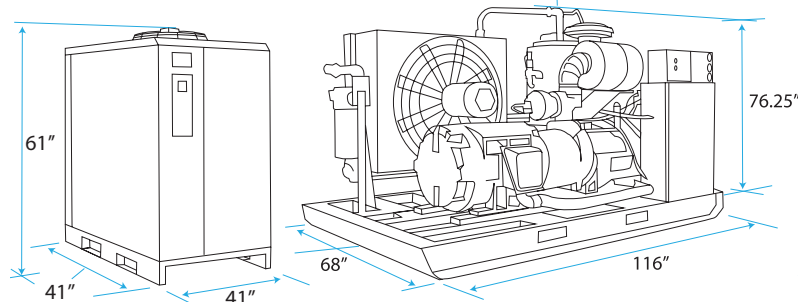
### Specifications

@ 110 PSIG Full Load	Full Load: 745 cfm	M3/min @ 7.58 BAR: 21.10	Motor HP/rpm: 150/1800
@ 125 PSIG Full Load	Full Load: 740 cfm	M3/min @ 7.58 BAR: 20.95	Motor HP/rpm: 200/1800
@ 175 PSIG (High Pressure)	ACFM @ 175 PSIG: 712	HP: 200	M3/min @ 12.07 BAR: 20.16
@ 210 PSIG (High Pressure)	ACFM @ 210 PSIG: 702	HP: 250	M3/min @ 14.48 BAR: 19.88
Rotor Diameter	10.04 / 255 inches per mm		
Dimensions / Weight	L 116" W 68" H 76.25" / 7500 lbs		

### Refrigerated Air Dryer

#### Specifications

Air Dryer Style	Refrigerated
Capacity	750 cfm
Connection	3" NPT (M)
Controls	Non-Cycling
Cooling Type	Air Cooled
Dew Point	39°F
Max Pressure	188 psi
Min Ambient Temp.	40°F
Power Source/Type	Electric
Rated Flow	750 CFM
Standard Voltages	460/3/60
Type	R404A Refrigerant Gas
Voltage Details	460/480/3/60



### 1060 Gallon Manifold Tank

#### Specifications

Diameter	48 O.D.
MAWP	155 psi at 400°
MDMT	-20°F at 155 psi
Capacity	Approx 1060 Gallons
Weight	1966 lbs.
CRN	L4208.5C

